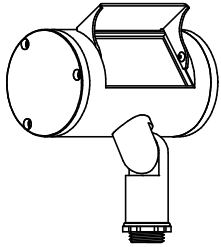
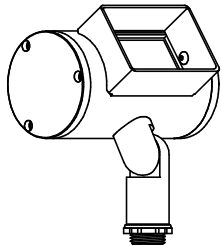


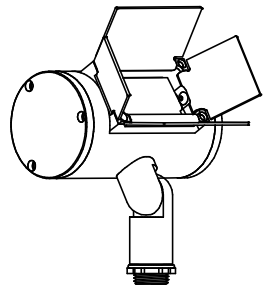
**"Accessory Options"**



**Cutoff Visor**



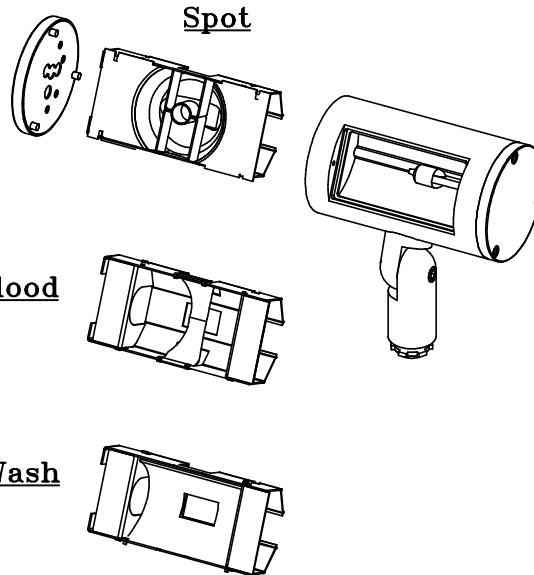
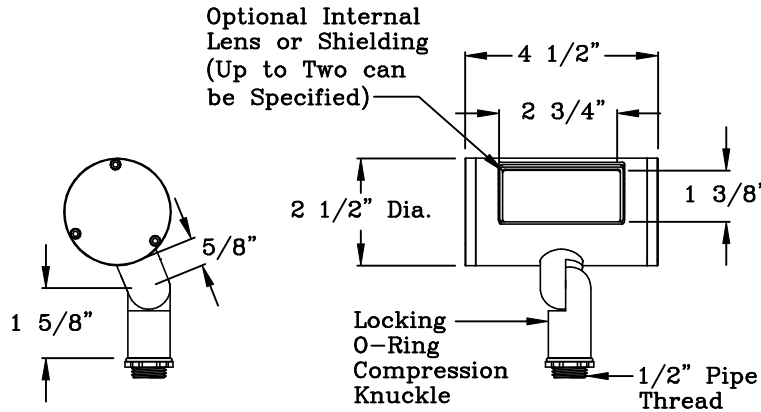
**Cutoff Snoot**



**Adj. Barn Doors**

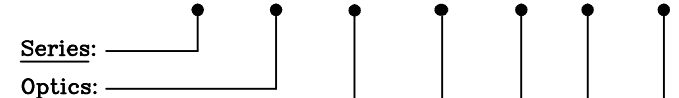
**Features:**

- All Precision Machined Aluminum Construction.
- Locking O-Ring Compression Knuckle (THE L.O.C.K.™) Allows Vertical to Horizontal Aiming and Provides Integral, Sealed Wireway.
- T4 Lamp Holder With 250°C, 18 Ga. Wire Leads (Leads Extend 6" Beyond Mounting Knuckle).
- Utilizes any T4 Lamp Up To 50 Watts.
- Gasketed End Caps, Forms Raintight Optical Compartment With Clear, Tempered, Glass Lens, Factory Sealed.
- Polyester Powdercoat Finishes Standard, (Specify).



**CATALOG NUMBER LOGIC**

EXAMPLE: SA - SP - 20 - VER - 9 - 11 - BD



Series: \_\_\_\_\_

Optics: \_\_\_\_\_

SP - Spot

FL - Flood

WW - Wall Wash

Lamp Type: \_\_\_\_\_

0 - By Others

20 - Q20T4/CL-12V(20W)

64 - Q35T4/CL-12V(35W)

65 - Q50T4/CL-12V(50W)

Finish: \_\_\_\_\_

Powdercoat	Satin	Wrinkle
Bronze	BZP	BZW
Black	BLP	BLW
White (Gloss)	WHP	WHW
Aluminum	SAP	---
Verde	---	VER

Lens Type: \_\_\_\_\_

9 - Clear (Standard)

10 - Spread

13 - Rectilinear

Shielding: \_\_\_\_\_

11 - Honeycomb Baffle

Accessories: \_\_\_\_\_

CV - Cutoff Visor

CS - Cutoff Snoot

BD - Adjustable Barn Doors

**"Optics"**

See OPTIKIT™ Submittal Sheet for Field Interchangeable Optics Ordering Information.

For Remote Transformers See Sheets TRSS Series, TR Series, Power Pipe, Power Pipe II or Power Canopy in Accessory Section.



ETL LISTED  
CONFORMS TO ANSI/UL  
STANDARD 1838 AND UL SUBJECT 8750  
CERTIFIED TO CAN/CSA  
STANDARD C22.2 NO. 9

8/03

**B-K LIGHTING, INC.**

DRAWING NUMBER  
SUB-1202-02

**SARATOGA SERIES™**